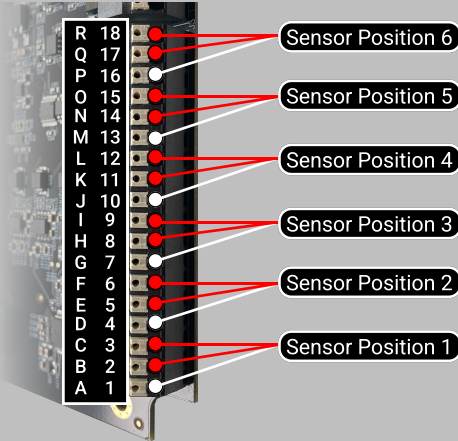




👉 **Service-Variable 51 - Sensor Configuration:** choose between configurations 0, 1, 2, 3 or 4

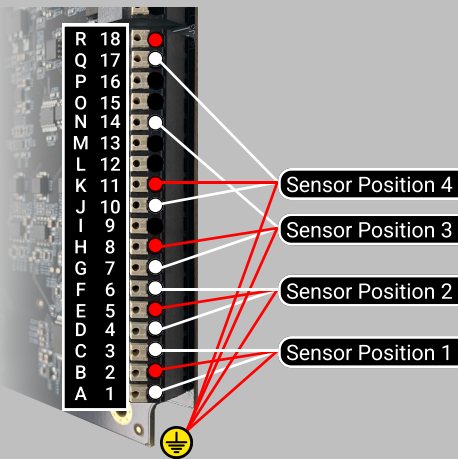
Configuration 0

6x PT100 3-wire with shared sense resistors



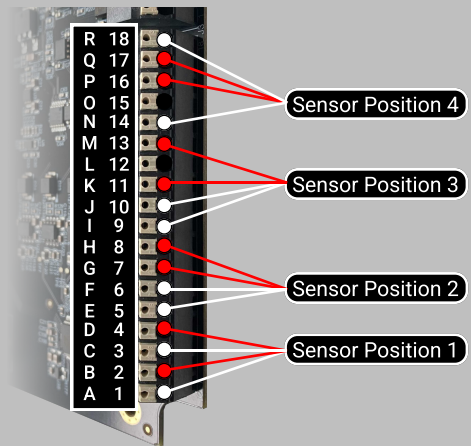
Configuration 1

4x PT100 4-wire with dedicated sense resistors and external ground



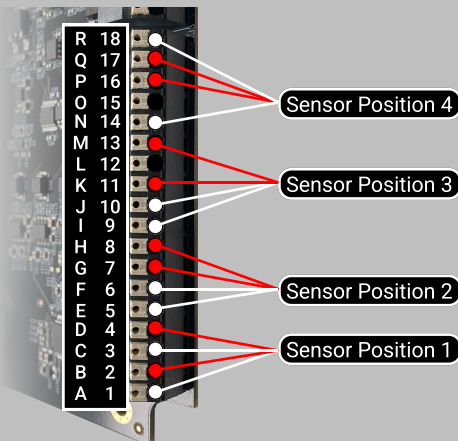
Configuration 2

4x PT100 4-wire with shared sense resistors and current source rotation



Configuration 3

4x PT100 4-wire with shared sense resistors and without current source rotation



Configuration 4

4x PT100 4-wire with dedicated sense resistors (EB1 version 2.3 onwards)

